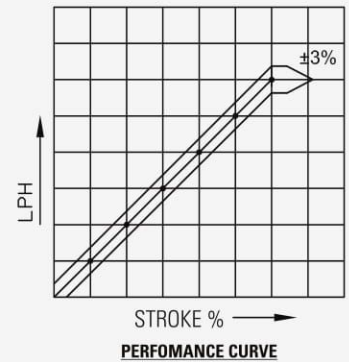




Model: VE-04 Electronic Dosing Pump



Material of Construction

Sr. No.	Parts	Material
01	Housing	PP
02	Liquid Head	PP/PTFE/SS304/SS316
03	NRV	PP/PTFE/SS304/SS316
04	NRV Ball	Ceramic/SS304/SS316
05	Diaphragm	PTFE

Technical Details

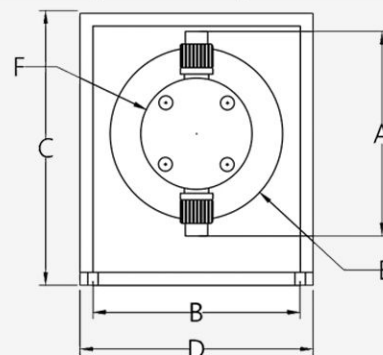
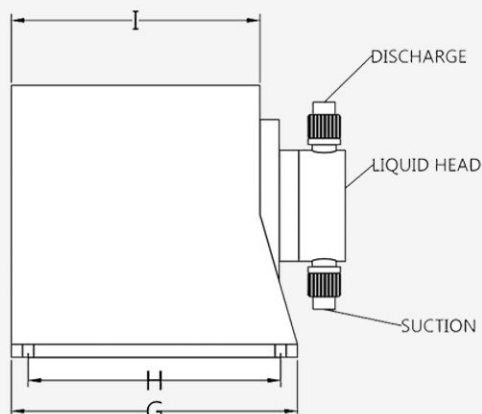
Sr. No.	Model	VE 04
01	Type	Solenoid Operated Electronic Dosing Pump
02	Input Power Supply	230V, 50Hz, 1 Phase
03	Input Power Consumption	120 Watt
04	Flow Adjustment	By Manual Adjustable Speed SPM 0-100
05	Negative Suction	1 mtr
06	End Connection	1/4" Hose Holder
07	Environment Temperature	45°C max.
08	Temperature Of Liquid Handled	50°C max
09	Shipping Weight	1.2 Kg

Standard Accessories

Sr. No.	Parts	MOC	Quantity
01	Suction & Discharge Piping	LDPE/PTFE	3 meter
02	Foot Valve Cum Strainer	PP	1
03	Antisiphoning valve	PP	1

Flow Reading

Sr. No.	Speed SPM(%)	Pressure (Kg/Cm2)	Flow (Ltr/hr)
01	100	1	35
02	100	2	30
03	100	3	25
04	100	4	20
05	100	5	15
06	100	6	10



A	B	C	D	E	F	G	H	I
208	172	211	188	Ø115	Ø86	221	188	192